

Mini free-standing Beacons / LED-Permanent Light 211
LED Perm. Beacon BM 24VAC/DC RD



Part No.: 211.100.75

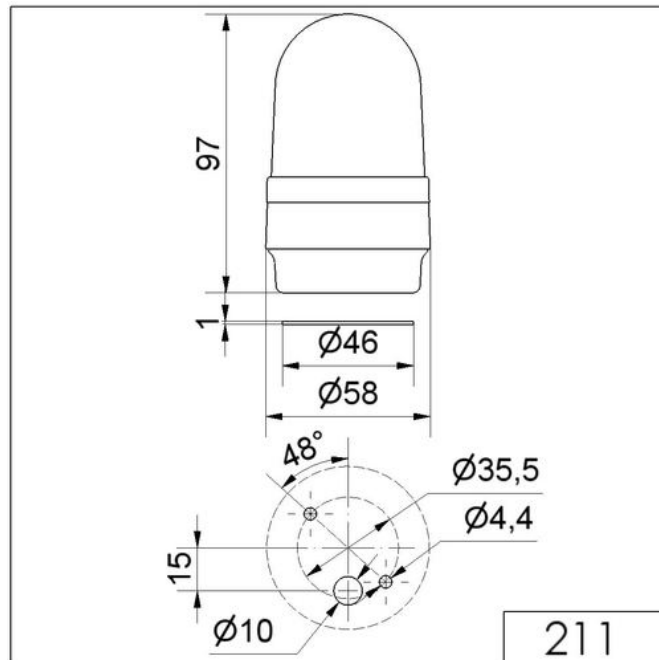


MECHANICAL DATA	
Height	97 mm
Diameter	58 mm
Materials	PA-GF PC
Dome colour	Red
Housing colour	Black
Protection category	IP65
Connection	Spring-type terminal
cross-sectional area maximum	2,50mm ² / 14AWG
Cable entry	Through hole
Cable entry maximum	d = 10 mm
Type of fixing	Base mounting
Service life optical	100,000 h maximum
Working temperature minimum	-20°C
Working temperature maximum	+50°C
Weight with packaging	92 g
Product weight	70 g
ELECTRICAL DATA	
Operating voltage	24V
Operating voltage type	AC/DC
Rated operational current	45 mA
Rated inrush current	500 mA
OPTICAL DATA	
Light source	LED
Light colour	Red
Optical signal image	Permanent

! For additional installation and mounting information, refer to the appropriate user guide at www.werma.com. This printed copy is for information only and is subject to alteration.

Mini free-standing Beacons / LED-Permanent Light 211
LED Perm. Beacon BM 24VAC/DC RD

DRAWING



! For additional installation and mounting information, refer to the appropriate user guide at www.werma.com. This printed copy is for information only and is subject to alteration.